
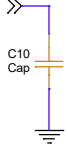


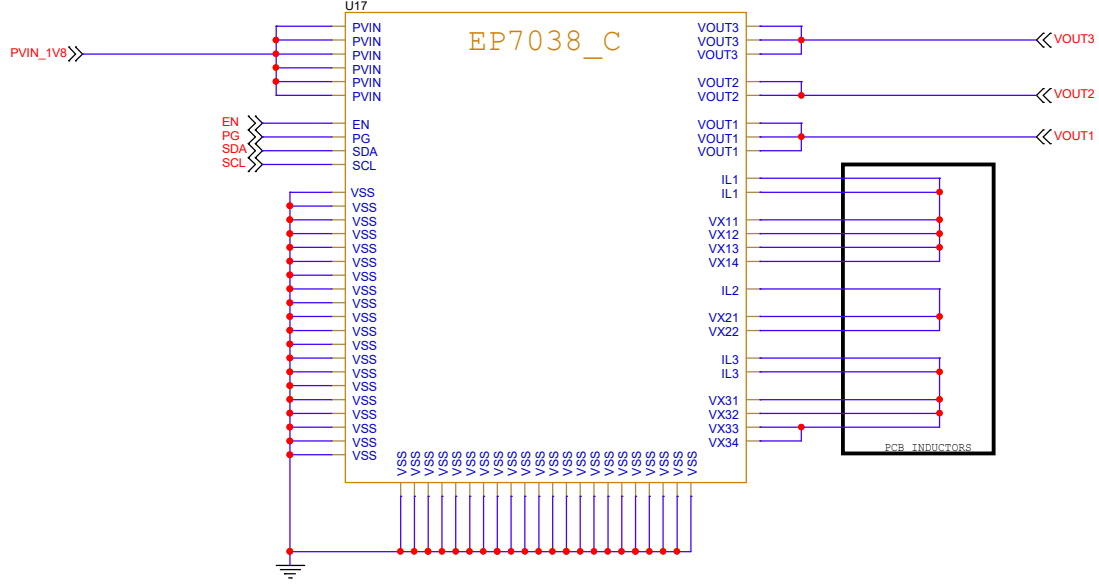
DRAWN	DATE 06/01/2022			
	SIZE B			
ALL DIMENSIONS ARE IN INCHES DIMENSIONS IN [] ARE MILLIMETERS	SCALE: NONE	TITLE (40 CHAR. MAX) 12V Design_EP6069_EP70xx	REV 1	SHEET 1 OF 3

FROM 2nd STAGE (EP70xx)

PVIN_1V8



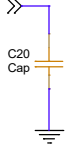
Optional capacitance if 2nd stage is far from 1st stage



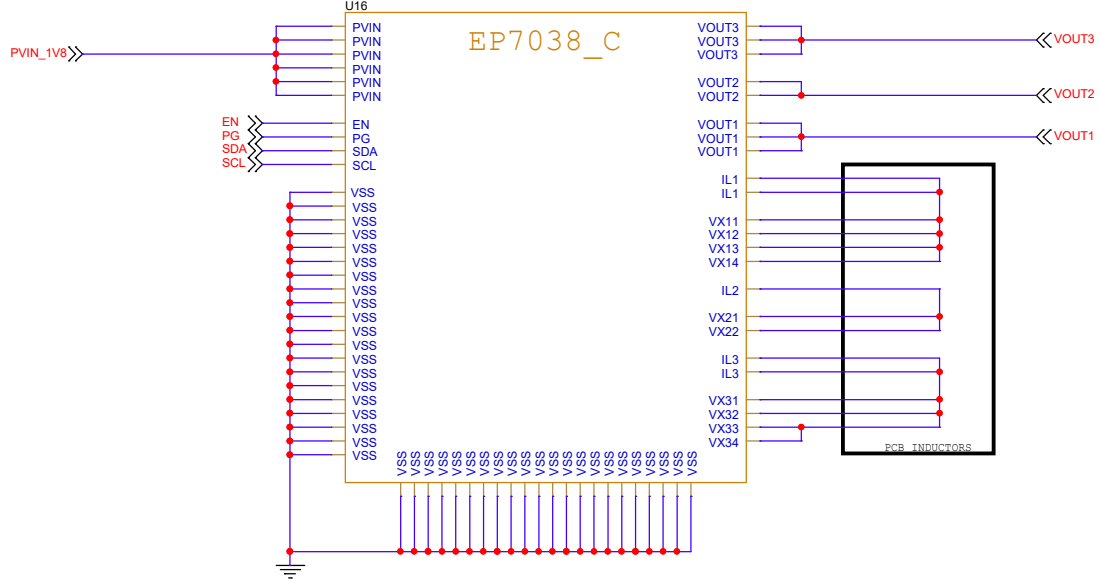
DRAWN	DATE			
	06/01/2022			
	SIZE			
	B			
ALL DIMENSIONS ARE IN INCHES DIMENSIONS IN [] ARE MILLIMETERS	SCALE: NONE	TITLE (40 CHAR. MAX)	REV	SHEET 2 OF 3
		12V Design_EP6069_EP70xx	1	


FROM 2nd STAGE (EP70xx)

PVIN_1V8



Optional capacitance if 2nd stage is far from 1st stage



DRAWN	DATE		
	06/01/2022		
	SIZE		
	B		
<small>ALL DIMENSIONS ARE IN INCHES DIMENSIONS IN [] ARE MILLIMETERS</small>	SCALE: NONE	TITLE (40 CHAR. MAX)	REV
		12V Design_EP6069_EP70xx	1
		SHEET 3 OF 3	